

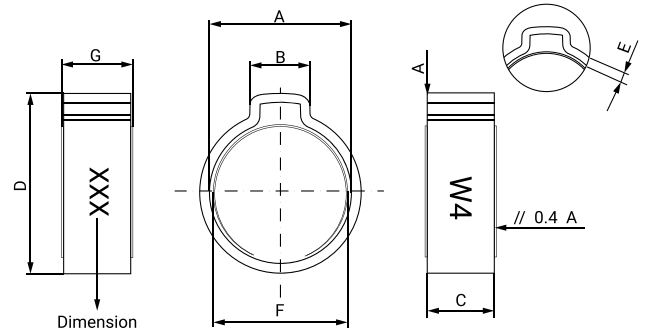
The fact that these clamps are used on very small-bore hoses means that the material of the tube or hose can sometimes be very flexible, making it more difficult to ensure a leaktight assembly due to the possible deformation of the hose. In these cases, the inner-ring is key in helping to guarantee leaktightness as well as protecting the hose from being pinched during assembly.

**MATERIAL:** Steel W1 DC04 (EN 10130)  
Stainless steel inner-ring  
AISI 301

**FINISH:** Zinc-plated Cr3

**CORROSION RESISTANCE:** 72 hours Salt Spray (ASTM B-117)

Ø Application	Part Number	A ±0.2	B ±0.2	C ±0.2	D +0.5-0.2	F ±0.2	G ±0.2	E +0.1-0.02	Box Quantity	Outer Box Quantity
7,5-8,5	03011009	9,3	5,5	6,0	13,0	8,8	7,8	0,8	1.000	8.000
8,0-9,5	03011010	10,3	6,0	6,0	14,0	9,8	7,8	0,8	1.000	8.000
9,0-10,5	03011029	11,3	6,5	6,5	15,0	10,8	7,8	0,8	1.000	8.000
10,0-11,5	03011037	12,3	7,0	6,5	16,0	11,8	7,8	0,8	500	8.000
10,5-12,5	03011045	13,3	7,5	6,5	17,0	12,8	7,8	0,9	500	8.000
11,5-13,3	03011053	14,3	8,0	7,0	18,5	13,8	8,8	1,0	500	2.000
13,0-15,3	03011061	16,3	8,5	7,0	20,5	15,8	8,8	1,1	500	4.000
15,0-17,3	03011070	18,5	9,5	7,0	23,0	18,0	8,8	1,1	500	2.000
16,0-18,3	03011082	19,5	9,5	7,5	24,0	19,0	9,8	1,0	250	2.000
17,0-19,3	03011093	20,5	10,0	7,5	25,0	20,0	9,8	1,0	250	1.000



The fact that these clamps are used on very small-bore hoses means that the material of the tube or hose can sometimes be very flexible, making it more difficult to ensure a leaktight assembly due to the possible deformation of the hose. In these cases, the inner-ring is key in helping to guarantee leaktightness as well as protecting the hose from being pinched during assembly.

**MATERIAL:** Stainless Steel W4  
AISI 304 1.4301  
(EN 10088-2:2005)  
Stainless steel AISI 301  
inner-ring

**CORROSION RESISTANCE:** 72 hours Salt Spray  
(ASTM B-117)

Ø Application	Part Number	A ±0.2	B ±0.2	C ±0.2	D +0.5-0.2	F ±0.2	G ±0.2	E +0.1-0.02	Box Quantity	Outer Box Quantity
7,5-8,5	23012300	9,3	5,5	6,0	12,8	8,8	7,8	0,6	2.000	8.000
8,2-9,5	23012319	10,3	6,0	6,0	13,8	9,8	7,8	0,8	1.000	8.000
9,0-10,5	23012327	11,3	6,5	6,5	14,8	10,8	7,8	0,8	1.000	8.000
10,0-11,5	23012335	12,3	7,0	6,5	15,8	11,8	7,8	0,8	500	8.000
10,5-12,5	23012343	13,3	7,5	6,5	16,8	12,8	7,8	0,9	500	8.000
11,5-13,5	23012351	14,3	8,0	7,0	18,5	13,8	7,8	0,9	500	4.000
12,5-14,5	23012360	15,3	8,0	7,0	19,5	14,8	8,8	1,0	500	4.000
13,0-15,3	23012378	16,3	8,5	7,0	20,3	15,8	8,8	1,0	500	2.000
14,0-16,3	23012386	17,5	9,0	7,0	22,0	17,0	8,8	1,0	250	4.000
15,0-17,3	23012394	18,5	9,5	7,0	22,8	18,0	8,8	1,0	250	4.000
16,0-18,3	23012407	19,5	9,5	7,5	24,0	19,0	9,8	1,0	250	2.000
17,0-19,3	23012415	20,5	10,0	7,5	25,0	20,0	9,8	1,0	250	2.000