

ASFA HIGH TORQUE CONSTANT TENSION

(16 mm bandwidth)

**Higher
PERFORMANCE**

+ 42 %

**Higher
TIGHTENING TORQUE**

+ 118 %

**Higher
INSIDE PRESSURE**

+ 45 %

Screw of
unique design

Conical washer
system for
constant tensioning

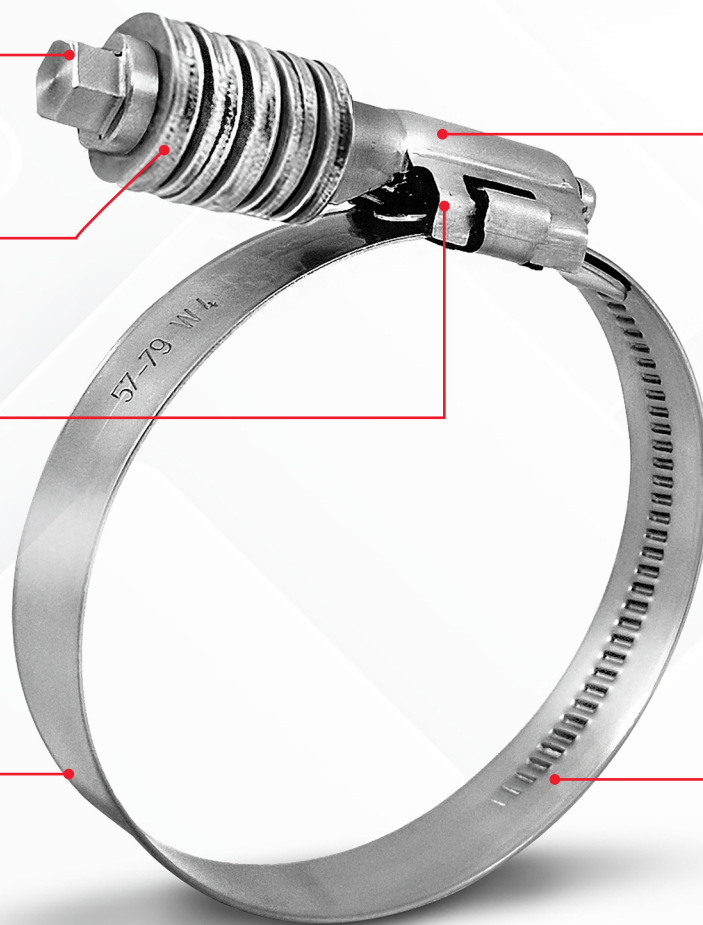
Double fastening
reinforcement

Bevelled band edges
to protect the hose
from damage

Exclusive
reinforced housing

16 mm
bandwidth

Deeper band thread
to increase the
tightening torque



ASFA HIGH TORQUE CONSTANT TENSION

(16 mm bandwidth)



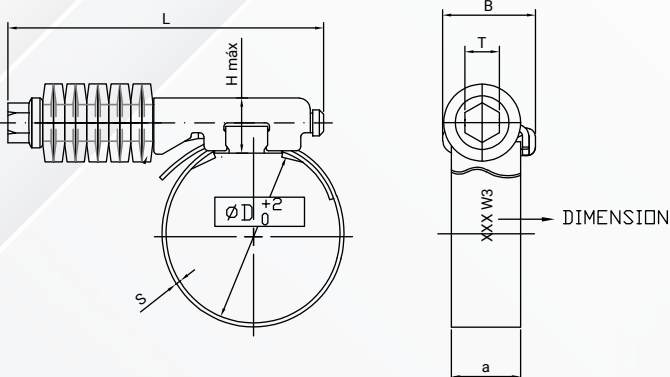
The MIKALOR **High Torque Constant Tension** clamp has been designed to guarantee constant performance and torque values.

The screw is fitted with special conical washers, which adapt their behaviour according to the vibrations and temperature changes occurring in the application. Thanks to the 8 mm hexagonal screw and a **bandwidth of 16 mm**, we can increase the tightening torque by more than 118 % compared to the range with a bandwidth of 12 mm, while at the same time increasing the performance by 48 %.

Designed and manufactured with perfectly rounded band edges and a housing with a double fastening reinforcement.

Due to its high performance, it is especially used in industrial applications and in the agricultural machinery, naval and industrial vehicle sectors.

Ø Application mm	Part Number		L Max.	S +0.1	H Max.	a ±0.2	B Max.	T	(*) Maximum values	
	W3	W4							Torque (Nm)	Pressure (Bar)
25-45	03068001	03069001	73	0,85	14	16	22	8	14	55
32-54	03068002	03069002	73	0,85	14	16	22	8	14	50
45-67	03068003	03069003	73	0,85	14	16	22	8	14	45
57-79	03068004	03069004	73	0,85	14	16	22	8	14	40
70-92	03068005	03069005	73	0,85	14	16	22	8	14	30
83-105	03068006	03069006	73	0,85	14	16	22	8	14	20
95-118	03068007	03069007	73	0,85	14	16	22	8	14	17
108-130	03068008	03069008	73	0,85	14	16	22	8	14	14
121-143	03068009	03069009	73	0,85	14	16	22	8	14	11
133-156	03068010	03069010	73	0,85	14	16	22	8	14	8
146-168	03068011	03069011	73	0,85	14	16	22	8	14	6
159-181	03068012	03069012	73	0,85	14	16	22	8	14	5
172-194	03068013	03069013	73	0,85	14	16	22	8	14	4
184-206	03068014	03069014	73	0,85	14	16	22	8	14	3
197-219	03068015	03069015	73	0,85	14	16	22	8	14	2
210-232	03068016	03069016	73	0,85	14	16	22	8	14	2



(*) We recommend working at 75 % of the maximum values specified in the table.