

ASFA TI Titanium

S-band worm-drive hose clip

The compact housing grips the screw preventing lateral movement during tightening

The screw is also manufactured in Titanium and can take a great deal of torque

All ASFA "S"- "Ti" hose clips are marked with the application range, material, the Mikalor logo and the country of manufacture.

Beveled band edges to avoid the clip cutting into the hose.

Cold formed stamped band thread which gives a very good grip due to the fact that the thread is deeper than the thickness of the material used

Manufactured in 100% Titanium

Smooth band underside which avoids damage to the hose



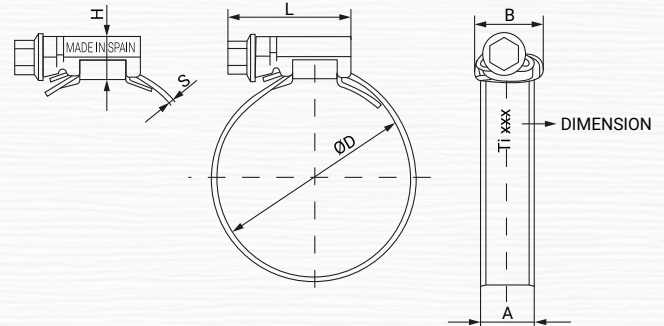


FOR OUTER DIAMETERS (OD)
From 16 mm up to 150 mm Ø

The fact that this clamp is manufactured entirely in titanium, combined with the innovative design of the housing and the 12mm bandwidth means that this clamp gives the best comparative weight, performance and corrosion-resistance ratio of any worm-drive clip in the world. We use revolutionary manufacturing processes in order to manufacture dimensions ranging from 16-27mm up to 220-240mm.

Due to the exceptional characteristics of this clamp (much lighter than steel and exceptionally corrosion-resistant) it is suitable for use in high performance automotive applications, offshore, aeronautics and in the chemical industry, especially in applications involving acids. Each clamp is subject to individual quality control before packing.

Conforms to all current EU directives and norms.



MATERIAL: Titanium ASTM B-265
Titanium screw ASTM B-348

FINISH: Black color

CORROSION RESISTANCE: Unlimited hours Salt Spray ASTM B-117

Part Number	A +0.4 -0.2	L +1 -0.5	S ±0.1	H Max.	B Max.	Maximum Values		Box Quantity	Outer Box Quantity
						Pressure (Bar)	Par (Nm)		
03009502	12,2	29,6	0,8	11	16,6	47,0	4,5	1	20
03009510	12,2	29,6	0,8	11	16,6	47,0	5,5	1	1
03009529	12,2	29,6	0,8	11	16,6	42,0	5,5	1	2
03009537	12,2	29,6	0,8	11	16,6	37,0	5,5	1	1
03009545	12,2	29,6	0,8	11	16,6	37,0	6,5	1	10
03009553	12,2	29,6	0,8	11	16,6	32,0	6,5	1	1
03009561	12,2	29,6	0,8	11	16,6	26,0	7,0	1	1
03009570	12,2	29,6	0,8	11	16,6	21,0	7,0	1	1
03009588	12,2	29,6	0,8	11	16,6	18,0	7,0	1	1
03009596	12,2	29,6	0,8	11	16,6	15,0	7,0	1	1
03009609	12,2	29,6	0,8	11	16,6	13,0	7,0	1	1
03009617	12,2	29,6	0,8	11	16,6	11,0	7,0	1	1
03009625	12,2	29,6	0,8	11	16,6	8,5	7,0	1	1
03009633	12,2	29,6	0,8	11	16,6	7,4	7,0	1	1
03009641	12,2	29,6	0,8	11	16,6	6,3	7,0	1	1
03009650	12,2	29,6	0,8	11	16,6	5,3	7,0	1	1
03009668	12,2	29,6	0,8	11	16,6	4,2	7,0	1	1
03009676	12,2	29,6	0,8	11	16,6	3,2	7,0	1	1
03009684	12,2	29,6	0,8	11	16,6	2,1	7,0	1	1
03009692	12,2	29,6	0,8	11	16,6	2,1	7,0	1	1
03009705	12,2	29,6	0,8	11	16,6	1,9	7,0	1	1
03009713	12,2	29,6	0,8	11	16,6	1,9	7,0	1	1
03009721	12,2	29,6	0,8	11	16,6	1,7	7,0	1	1
03009730	12,2	29,6	0,8	11	16,6	1,7	7,0	1	1