

## “Normal” Mini Clip

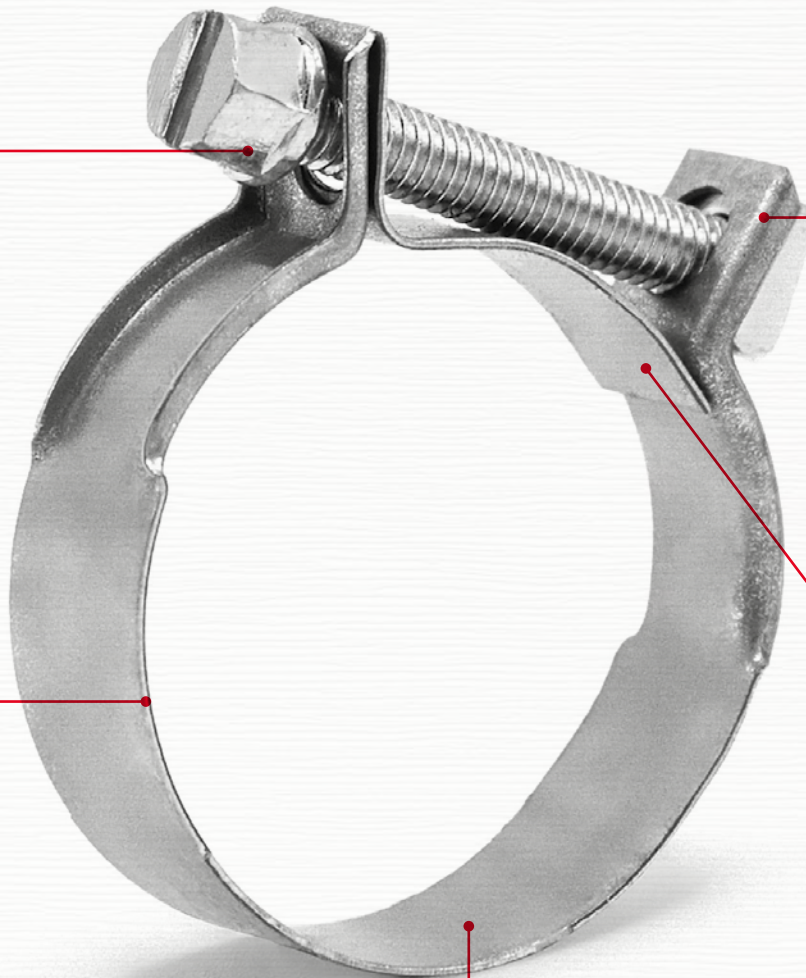
Nut and bolt  
tightening system  
designed for use  
with a variety of  
different tools

Unique nut-blocking  
system makes  
tightening easy

The band end forms  
a bridge which avoids  
possible damage to the  
hose during tightening  
and allows for a snug fit  
around the hose

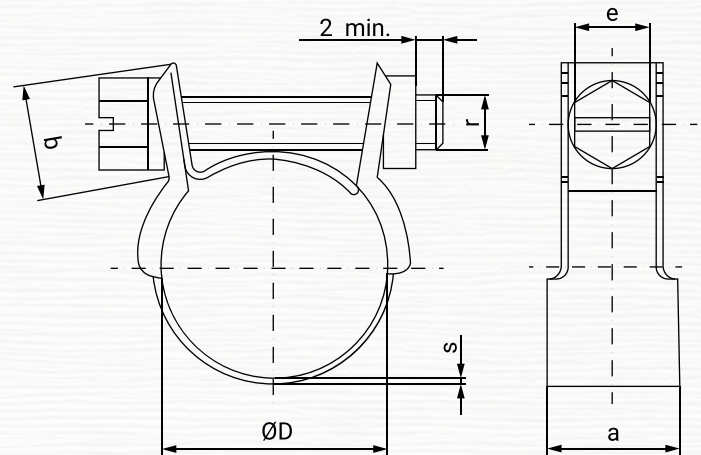
Rounded band edges  
prevent the clamp  
from digging into and  
cutting the hose

Materials free of toxic  
substances in accordance with  
current environmental legislation





**FOR OUTER DIAMETERS (OD)**  
**From 6 mm up to 32 mm Ø**



The use of malleable mild steel in the manufacture of the "Normal" mini clip means that when tightened, the clip adapts perfectly to the hose, clamping firmly but gently.

This clip is recommended for use with gaseous fluids at low pressure and on small-bore or thin-walled hoses.

"Normal" also has many applications in the automotive industry.

\* The maximum pressure may vary depending on the type of hose and coupling used.

W1

**MATERIAL:** W1 Steel St 02Z (DIN 1.0226)

Grade 5.8 steel screw

Grade 5 steel nut

Zinc-plated Cr3

**FINISH:**  
**CORROSION**  
**RESISTANCE:**

144 hours Salt Spray  
 ASTM B-117

Part Number	r	e	a	b	s	Maximum values Box		Box Quantity	Outer Box Quantity
						Par (Nm)	Pressure (Bar)		
03010510	M3	5	8,4	9	0,5	0,4	15,0	100	1.600
03010528	M3	5	9,0	9	0,5	0,4	14,0	100	1.600
03010536	M4	6	10,0	10	0,5	1,0	15,0	100	1.600
03010544	M4	6	10,0	10	0,5	1,0	14,0	100	1.600
03010552	M4	6	10,0	10	0,5	1,0	13,0	100	1.600
03010560	M4	6	10,0	10	0,5	1,0	12,5	100	1.600
03010579	M4	6	10,0	10	0,5	1,0	12,5	100	1.600
03010587	M4	6	10,0	10	0,5	1,0	12,0	100	1.600
03010595	M4	6	10,0	10	0,5	1,0	12,0	100	1.600
03010608	M4	6	10,0	10	0,5	1,0	11,5	100	1.600
03010616	M4	6	10,0	10	0,5	1,0	10,5	100	1.600
03010624	M4	6	10,0	10	0,5	1,0	10,5	100	800
03010632	M4	6	10,0	10	0,5	1,0	10,5	100	800
03010640	M4	6	10,0	10	0,5	1,0	9,5	100	800
03010659	M4	6	10,0	10	0,5	1,0	9,0	100	800
03010667	M4	6	10,0	10	0,5	1,0	8,5	100	800
03010675	M4	6	10,0	10	0,5	1,0	8,5	100	800
03010683	M4	6	10,0	10	0,5	1,0	8,0	100	800