

Wire Clip with Screw

Screw-tightening system
ensures effective clamping

Double-wire construction
sits comfortably on either
side of the helix

Possibility of manual
or automatic mounting

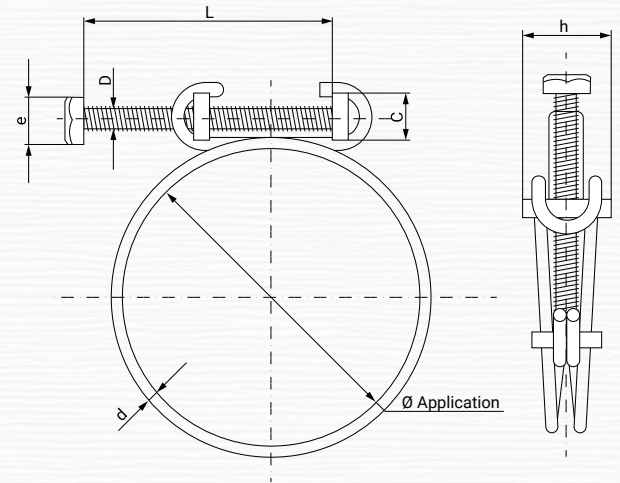
The steel wire used in the
manufacture of this clip is
free from burrs and sharp
edges which could cut
into the hose or ducting

Materials free of
toxic substances in
accordance with current
environmental legislation





FOR OUTER DIAMETERS (OD)
From **9,5 mm** up to **31 mm Ø**



This clip was specially designed for use with hoses incorporating an outer helix. It is generally used when installing ventilation ducting or in white goods applications.

The double-wire construction of this clip means that it sits comfortably on either side of the helix and can then be clamped down firmly thanks to the screw-tightening system.

W1

MATERIAL: W1 Steel
B-UNI 3823
FINISH: Zinc-plated Cr3
RESISTENCIA A LA CORROSIÓN: 48 hours Salt Spray
ASTM B-117

Part Number	Ø Optimum application mm	D	d	C	e	L	h mm	Box Quantity	Outer Box Quantity
03030015	9,5	M3	1,5	6	5,5	20	11,3	500	2.000
03030023	10,5	M3	1,5	6	5,5	20	11,3	500	2.000
03030031	11,5	M3	1,5	6	5,5	20	11,3	500	2.000
03030040	12,5	M3	1,5	6	5,5	20	11,3	500	2.000
03030058	14,0	M3	1,8	6	5,5	25	11,3	500	2.000
03030066	14,5	M3	1,8	6	5,5	25	11,3	500	4.000
03030074	16,0	M3	1,8	6	5,5	25	11,3	500	2.000
03030082	16,5	M3	1,8	6	5,5	25	11,3	500	2.000
03030090	18,0	M3	1,8	6	5,5	25	11,3	500	2.000
03030103	18,5	M3	1,8	6	5,5	25	11,3	500	500
03030111	18,5	M3	2,0	7	7,0	30	14,3	500	500
02016020	19,0	M4	2,0	7	7,0	30	14,3	500	500
03030138	20,0	M4	2,0	7	7,0	30	14,3	500	500
03030146	21,5	M4	2,2	7	7,0	30	14,3	500	500
03030154	23,5	M4	2,2	7	7,0	30	14,3	500	500
03030162	25,0	M4	2,2	7	7,0	30	14,3	200	500
03030170	27,0	M4	2,2	7	7,0	30	14,3	200	500