

ASFA S CONSTANT TENSION

High impact screw.

Exclusive design of the housing which keeps the screw in firm contact with the band.

Marked with the application range, material and the country of manufacture.

The compact housing grips the screw preventing lateral movement during tightening.

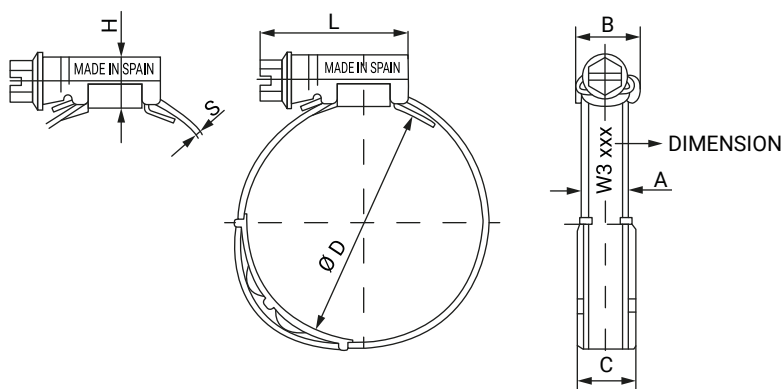
Exclusive design of the housing which keeps the screw in firm contact with the band.

Beveled band edges.

The spring-loaded insert maintains constant pressure around the hose in case of sudden variations in temperature and /or pressure thereby avoiding leaks.

Smooth band underside which prevents damage to the hose.





Sistema de Gestión
ISO 9001:2015
IATF 16949:2016

www.tuv.com
ID: 9105023577



9mm bandwidth Constant Tension worm-drive clips are designed to be used primarily in the automotive sector. The main advantage of this clip over the standard Mikalor worm drive is to be found in the spring-loaded insert, fitted on a semi-circular support to the inside of the band.

W4

The use of this spring-loaded insert guarantees constant pressure around the hose and the optimum performance of the clamp in case of variations in temperature, pressure or vibration. For this reason, constant tension worm-drive clips are used mainly with tubes or hoses carrying hot air or on engine refrigeration systems, as clamps used in these applications are subject to expansion and contraction due to frequent changes in temperature. ASFA L CT worm-drive clips are manufactured entirely from stainless steel, thereby ensuring good corrosion resistance. The complete range complies fully with the Directive EU 20032/95/EC.

W3

MATERIAL: Stainless Steel W4 AISI 304
X5Cr Ni 18/10 (DIN 1.4301)
Stainless steel bolt
W4 AISI 304 Cu

CORROSION RESISTANCE: 400 hours Salt Spray
ASTM B-117

MATERIAL: Stainless Steel W3 AISI
430 X6Cr17 (DIN 1.4016)
Stainless steel bolt
W4 AISI 304 Cu

CORROSION RESISTANCE: 200 hours Salt Spray
ASTM B-117

Ø Application	Part Number W4	Part Number W3	A +0.3 -0.2	C ±0.5	L +1 -0.5	S ±0.1	H Máx.	B Máx.	Maximum values	
									Pressure (Bar)	Par (Nm)
16-27	03017929	03017800	12	15	29,6	0,8	11	16,7	45	5,0
20-32	03017930	03017818	12	15	29,6	0,8	11	16,7	45	6,0
25-40	03017931	03017826	12	15	29,6	0,8	11	16,7	40	6,0
30-45	03017932	03017834	12	15	29,6	0,8	11	16,7	35	6,0
32-50	03017933	03017842	12	15	29,6	0,8	11	16,7	35	6,5
40-60	03017934	03017850	12	15	29,6	0,8	11	16,7	30	6,5
50-70	03017935	03017869	12	15	29,6	0,8	11	16,7	25	7,5
60-80	03017936	03017877	12	15	29,6	0,8	11	16,7	20	7,5
70-90	03017937	03017885	12	15	29,6	0,8	11	16,7	17	7,5
80-100	03017938	03017893	12	15	29,6	0,8	11	16,7	14	7,5
90-110	03017939	03017906	12	15	29,6	0,8	11	16,7	12	7,5
100-120	03017940	03017914	12	15	29,6	0,8	11	16,7	10	7,5
110-130	03017941	03017922	12	15	29,6	0,8	11	16,7	8	7,5