

## ASFA L CONSTANT TENSION

High impact screw.

Exclusive design of the housing which keeps the screw in firm contact with the band.

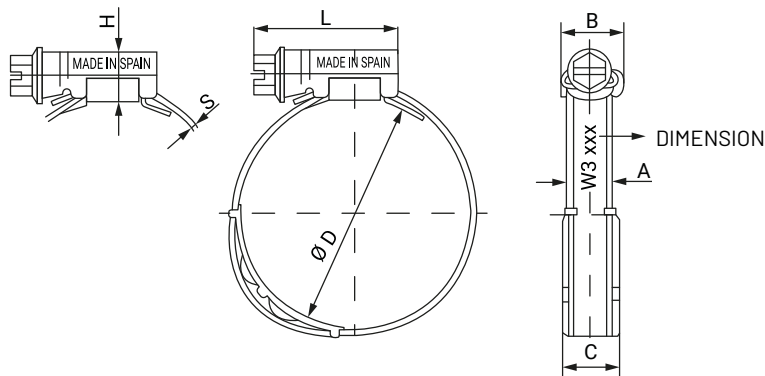
The compact housing grips the screw preventing lateral movement during tightening.

Beveled band edges.

Smooth band underside which prevents damage to the hose.

The spring-loaded insert maintains constant pressure around the hose in case of sudden variations in temperature and /or pressure thereby avoiding leaks.

Cold-formed stamped band thread.



9mm bandwidth Constant Tension worm-drive clips are designed to be used primarily in the automotive sector. The main advantage of this clip over the standard Mikalor worm drive is to be found in the spring-loaded insert, fitted on a semi-circular support to the inside of the band. The use of this spring-loaded insert guarantees constant pressure around the hose and the optimum performance of the clamp in case of variations in temperature, pressure or vibration.

W4

**MATERIAL:** Stainless Steel W4 AISI 304 X5Cr Ni 18/10 (DIN 1.4301)  
Stainless steel bolt W4 AISI 304 Cu  
**CORROSION RESISTANCE:** 400 hours Salt Spray  
ASTM B-117

For this reason, constant tension worm-drive clips are used mainly with tubes or hoses carrying hot air or on engine refrigeration systems, as clamps used in these applications are subject to expansion and contraction due to frequent changes in temperature. ASFA L CT worm-drive clips are manufactured entirely from stainless steel, thereby ensuring good corrosion resistance.

W3

**MATERIAL:** Stainless Steel W3 AISI 430 X6Cr17 (DIN 1.4016)  
Stainless steel bolt W4 AISI 304 Cu  
**CORROSION RESISTANCE:** 200 hours Salt Spray  
ASTM B-117

The complete range complies fully with the Directive EU 20032/95/EC.

ØD Application	Part Number W4	Part Number W3	A +0.3 -0.2	C ±0.5	L +1 -0.5	S ±0.1	H Max.	B Max.	Maximum values	
									Pressure (Bar)	Par (Nm)
8-16	03017965	03017945	9	11,2	22,1	0,65	10,5	14	45	3,0
12-22	03017967	03017947	9	11,2	22,1	0,65	10,5	14	45	3,0
16-27	03017969	03017949	9	11,2	23,6	0,75	10,5	14	36	3,5
20-32	03017970	03017950	9	11,2	23,6	0,75	10,5	14	36	3,5
25-40	03017971	03017951	9	11,2	25,6	0,75	10,5	14	32	4,0
30-45	03017972	03017952	9	11,2	25,6	0,75	10,5	14	28	4,0
32-50	03017973	03017953	9	11,2	25,6	0,75	10,5	14	24	4,0
40-60	03017974	03017954	9	11,2	25,6	0,75	10,5	14	19	4,0
50-70	03017975	03017955	9	11,2	29,6	0,75	10,5	14	17	4,0
60-80	03017976	03017956	9	11,2	29,6	0,75	10,5	14	15	4,0
70-90	03017977	03017957	9	11,2	29,6	0,75	10,5	14	13	4,0
80-100	03017978	03017958	9	11,2	29,6	0,75	10,5	14	11	4,0
90-110	03017979	03017959	9	11,2	29,6	0,75	10,5	14	10	4,0
100-120	03017980	03017960	9	11,2	29,6	0,75	10,5	14	9	4,0
110-130	03017981	03017961	9	11,2	29,6	0,75	10,5	14	8	4,0